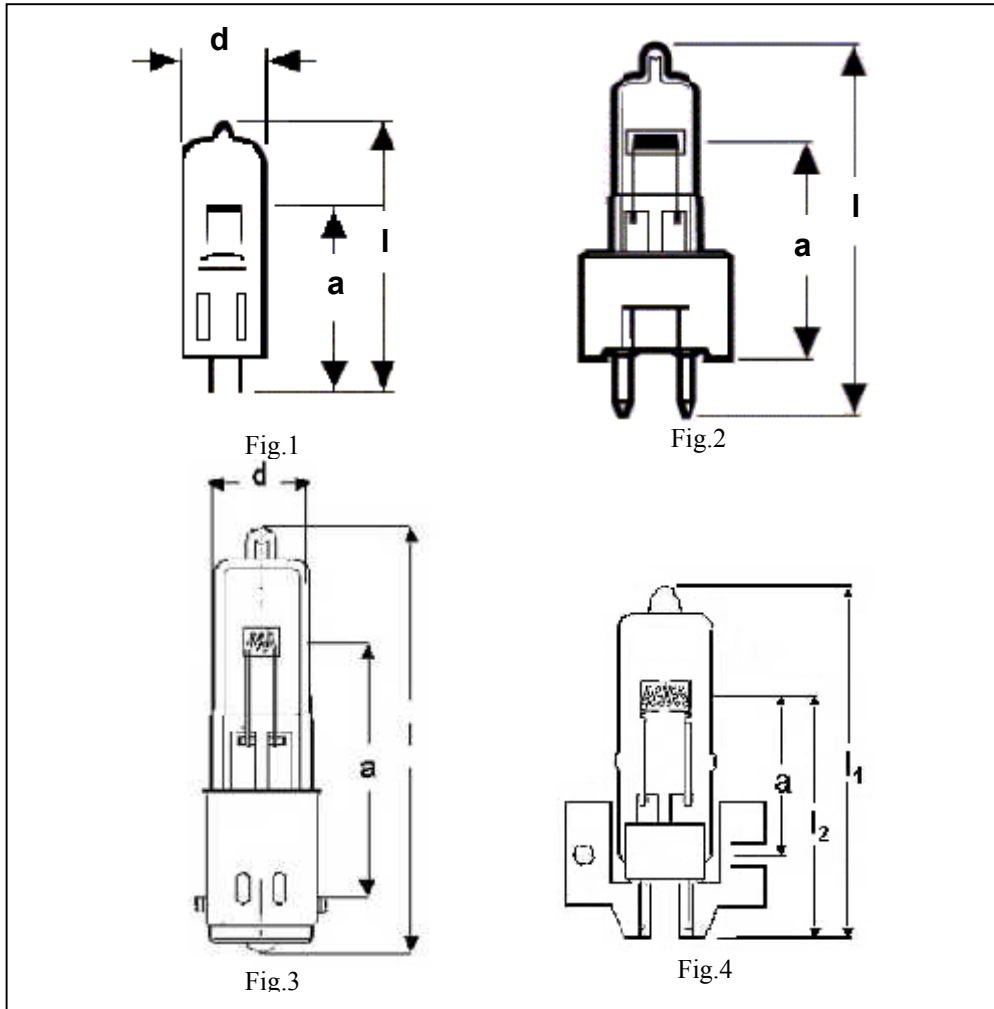


# Product Information Bulletin

## Medical Overhead Halogen Lamps

### Tungsten Halogen Low to Medium Voltage Lamps



**Medical Overhead Halogen Lamps**  
**(NAED 54466, 58941, 58939,**  
**58729, 54054, 54056, 54047,**  
**54136, 53998)**  
**Tungsten Halogen Low to Medium**  
**Voltage Lamps**

- HLX XENOPHOT® versions
- SE/Rim Mount Types
- Long life version

#### Application Information

##### Applications:

Medical Overhead

- Hospital
- Doctor
- Dentist
- Examining/clinic

##### Fixtures:

- Getinge/Castle
- Amsco/Steris
- Berchtold
- Burton
- Midmark
- Hill Rom
- Skytron
- ALM

#### Technical Data

Lamp / order reference	NAED	Rated wattage (W)	Rated voltage (V)	Luminous flux (lm)	LCL a (mm)	MOL l (mm)	Diameter d (mm)	Base	Bulb	Average service life (hrs)	Operating position	Fig. Num.
120/T4/SPECIAL 24V	54466	120	24	2,750	33.7	50	22.2	Special	T4	500	s90	4
235T4Q/2PPF	58941	235	33	5,800	39.1	66	12.7	GZ9.5	T4	200	Any	2
220T4Q/2PPF	58939	220	22	6,200	39.1	66	12.7	GZ9.5	T4	200	Any	2
60T4QCL	58729	60	24	1,280	37.1	63.8	14.4	BA15D	T4	500	Any	3
64642/HLX (FDV)	54054	150	24	5,000	32	50	13.5	G6.35 Bipin	T4	300	s90	1
64650	54056	50	22.8	1,000	30	44	13	G6.35 Bipin	T4	1,300	Any	1
64657/HLX (EVC)	54047	250	24	9,000	33	55	13.5	G6.35 Bipin	T4	300	s90	1
64654 HLX	54136	250	24	9,000	35	88	13.5	GY9.5 Bipin	T6	300	s90	1
64638 HLX	53998	100	24	2,900	30	50	13	GY6.35 Bipin	T3	300	Any	1

# OSRAM